

IP 8MP

Value IP Camera



IPB-828L

- Value IP Bullet
- 1/2.7" SmartSens CMOS sensor
- H.265+/H.265/H.264+/H.264 Compression Method
- 3.6mm Fixed Lens
- IR Distance 20M Max.
- With Internal POE and SD Card Slot

shieldcctv.com

Data Subject To Change Without Notice

SPECIFICATION	
Model NO.	IPB-828L
Camera	
Image Sensor	1/2.7" SmartSens CMOS sensor
Resolution	8MP
Effective Pixels	3872(H)*2180(V)
Compression	H.264/H.264+/H.265/H.265+/JPEG/AVI /MJPEG
TV System	PAL/NTSC
Electronic Shutter Time	Auto: PAL 1/25-1/10000Sec; NTSC 1/30-1/10000Sec
Minimum Illumination	0.01Lux
S/N Ratio	≥52dB
Scanning System	Progressive
Video Output	Network
Reset Button	Optional
Lens	
Focus Length	3.6mm
Focus Control	Fixed
Lens Type	Fixed
Pixels	8MP
Night Vision	
Infrared LED	42μ x 2PCS
Infrared Distance	20M
IR Status	Auto Control
IR Power On	Manual & Timed mode
Network	
Ethernet	RJ-45 (10/100Base-T)
Wireless	/
Protocol	TCP/IP, ICMP, HTTP, HTTPS, FTP, DHCP, DNS, DDNS, RTP, RTSP, RTCP, PPPoE, NTP, SMTP, UDP
ONVIF	Support ONVIF 2.4(Profile S/T/G)
P2P	YES, Support QR Code
POE	Internal, Support IEEE 802.3af
Video Delay	0.3S (Within the Lan)
Main Stream 1	3840*2160@20fps
Main Stream 2	2592*1536@20fps 2560*1440@20fps
Main Stream 3	1920*1080@20fps 1280*720@20fps
Sub Stream 1	1280*720@20fps
Sub Stream 2	720*480@20fps
Sub Stream 3	/
Tri Stream	1280*720@20fps 720*480@20fps
IE Brower	IE8-11, Google Chrome, Firefox, Mac Safari
Smart Phone	iPhone, iPad, Android, Android Pad
AI Function	
Intelligent Analysis	/
Camera Features	
Day/Night	Color/ B&W (IR-CUT)
Image Config	Saturation/Brightness/Contrast /Sharpness, Mirror, 3D NR, White Balance, FLK(Flicker Control), Video Tampering, HLC, Distortion
Full Color	/
Corridor Pattern	Support
Defog Mode	Support
ROI	Support
BLC	Support
WDR	HDR: 120dB
Motion Detection	Support
Privacy Masking	3 Rectangular Zone
Recording Mode	NVR/CMS/Web
Language	Chinese Simplified, Chinese Traditional, English, Bulgarian, Polish, Arabic, German, Russian, French, Korean, Portuguese, Japanese, Turkish, Spanish, Hebrew, Italian,Nederlands,Czech, Vietnamese
Interface	
Audio	Optional 1 Built-in MIC
Alarm	/
SD Card Slot	Optional Internal, Support Max 512GB
RS485	/
General	
Housing	Metal ,IP67
Anti-cut Bracket	YES
IR Cut Filter	YES
Operation Temperature	-20°C ~ +60°C RH95% Max
Storage Temperature	-20°C ~ +60°C RH95% Max
Power Source	DC12V±10%, 700mA
Dimension	171(W) x 73(H) x 70(D)mm
Weight	750g

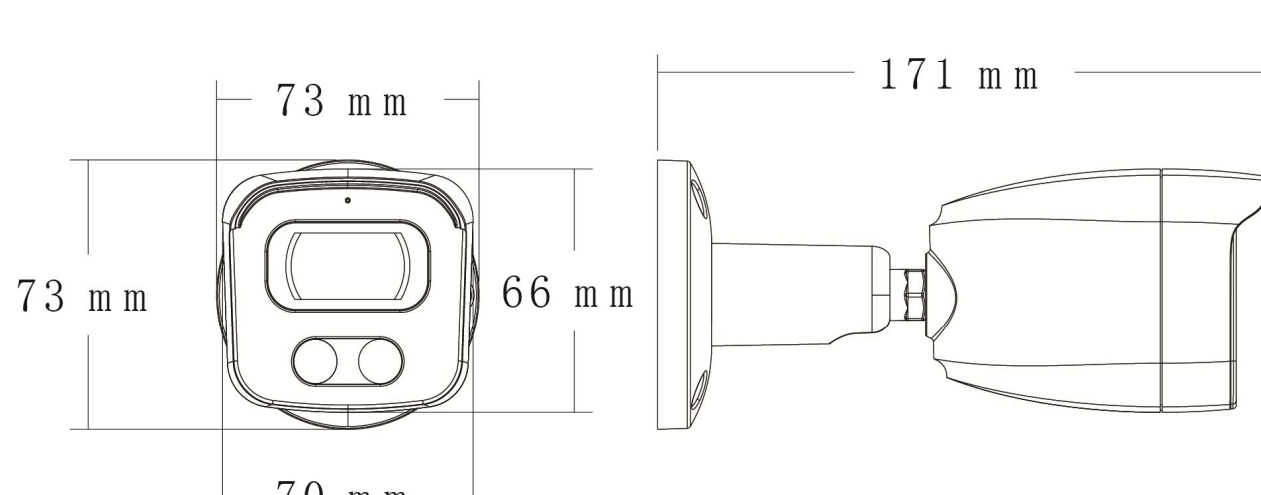
shieldcctv.com

Data Subject To Change Without Notice

Technical Specifications

Model	IPB-828L
Material	Aluminum & SECC & PC
Dimension(WxHxD)	73 x73x171 mm
Weight	750g
Color	White
Operating Temperature	-20°C ~ +60°C
Humidity	< 95% RH
Junction Box	B310, B116

Dimensions (mm)



shieldcctv.com

Data Subject To Change Without Notice